



# Template Guide

V1.2 May 2014

**Template 1:** CR30 Card (48 up)

**Template 2:** Short-Snap (30-up)

**Template 3:** Single-Snap with Sombrero (18-up)

**Template 4:** Double-Snap with Sombrero (18-up)

**Template 5:** Double-Snap no Sombrero (18-up)

**Template 6:** CR80 Card + Teardrop Keytags (24-up)

**Template 7:** CR80 Card + Square Keytags (30-up)

**Template 8:** Keytags Triplet (48-up)

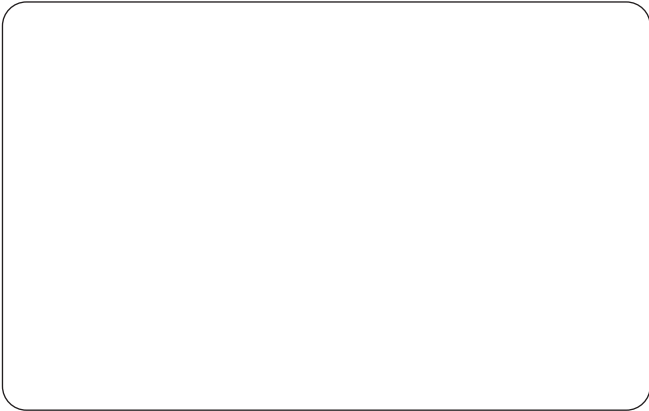
# Template 1: CR80 Card

Height: 85.725 mm

Width: 53.975 mm

Corner Radius: 3.175 mm

# units on stepped sheet: 48



## Template 2: Short-Snap (30-up)

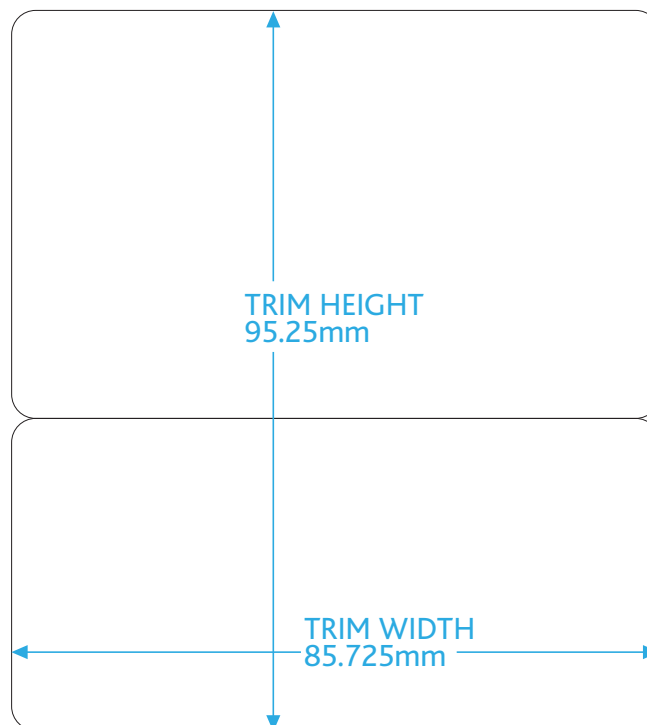
Formerly referred to as Blackhawk (BH) Snap. Used for most BH products

Height: 95.25 mm

Width: 85.725 mm

Corner Radius: 3.175 mm

# units on stepped sheet: 30



# Template 3: Single Snap with Sombrero (18-up)

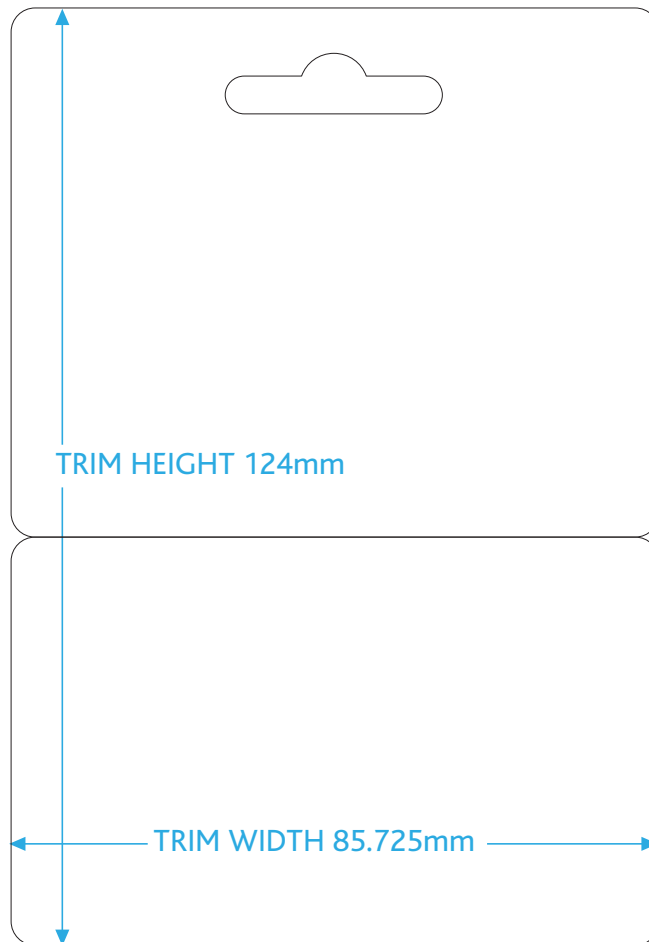
Formerly referred to as InComm Snap. Used for InComm products

Height: 124 mm

Width: 85.725 mm

Corner Radius: 3.175 mm

# units on stepped sheet: 18



# Template 4: Double Snap with Sombrero (18-up)

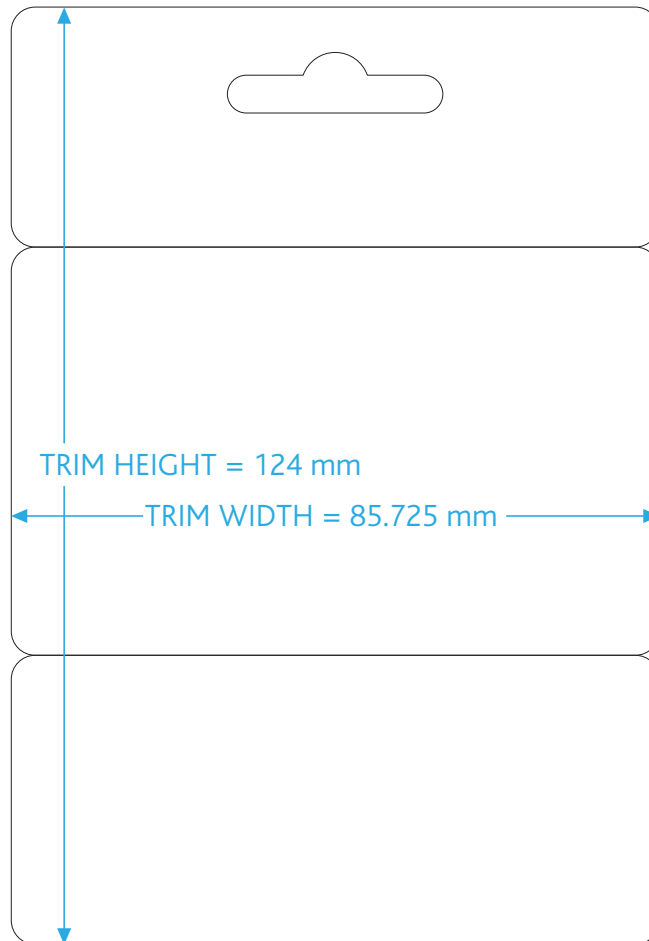
Formerly referred to as 3-Part Snap. Used for InComm products

Height: 124 mm

Width: 85.725 mm

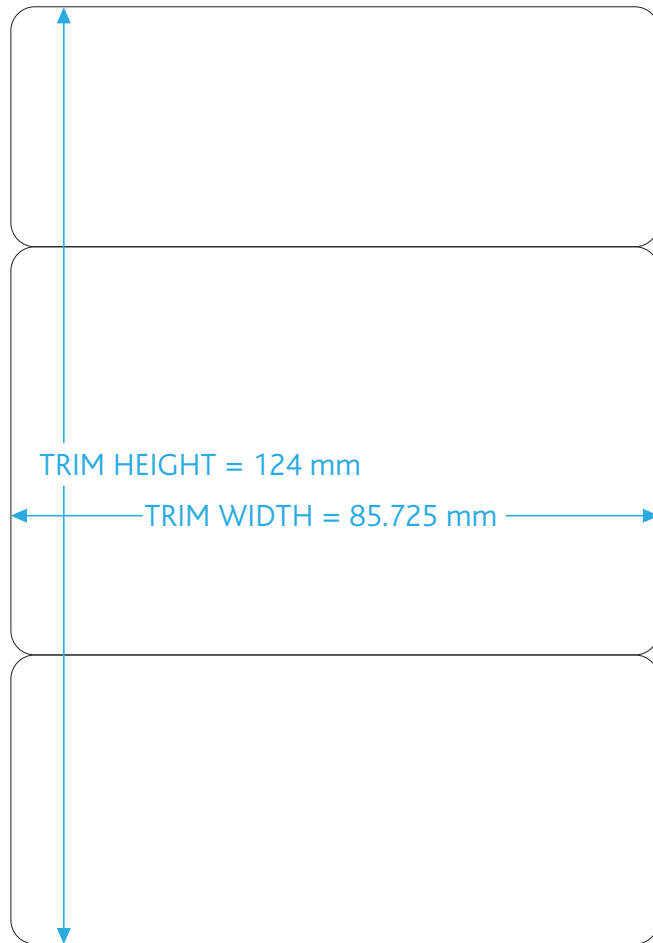
Corner Radius: 3.175 mm

# units on stepped sheet: 18



# Template 5: Double Snap No Sombrero (18-up)

Height: 124 mm  
Width: 85.725 mm  
Corner Radius: 3.175 mm  
# units on stepped sheet: 18



# Template 6: CR80 Card + Teardrop Keytags (24-up)

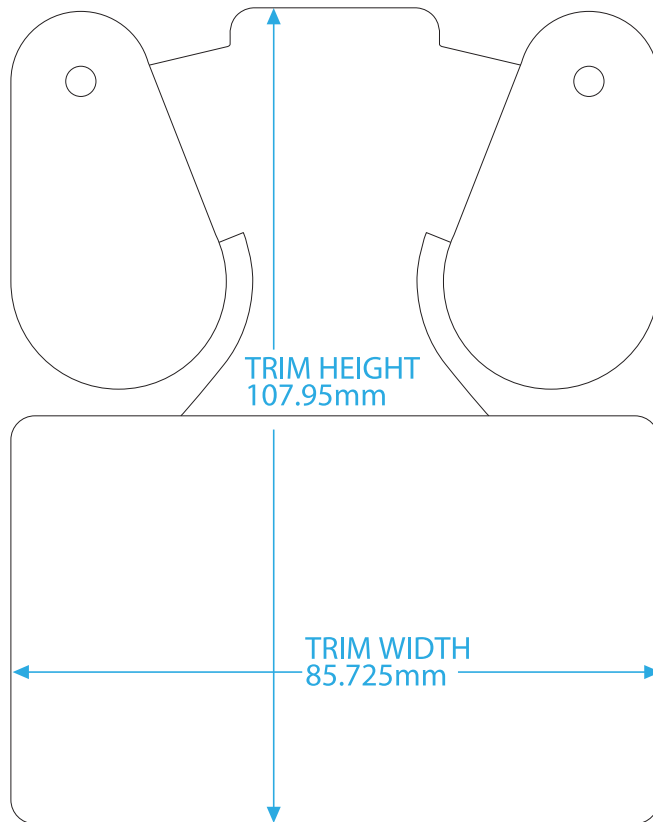
Formerly referred to as Card + Keytags

Height: 107.95 mm

Width: 85.725 mm

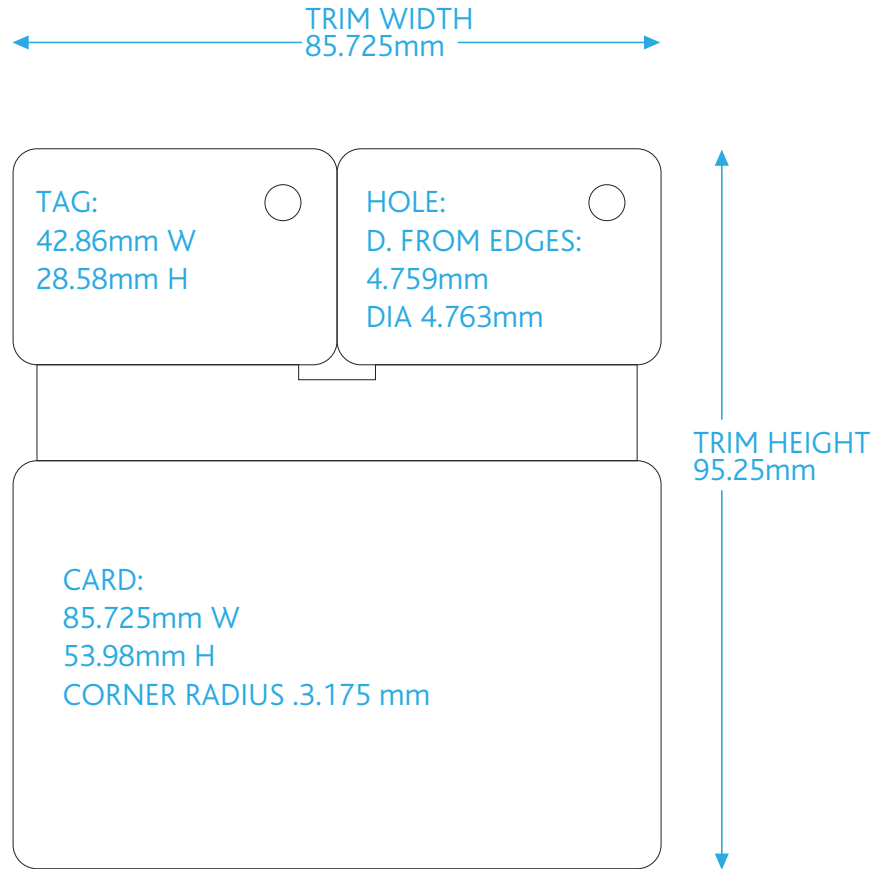
Corner Radius: 3.175 mm

# units on stepped sheet: 24

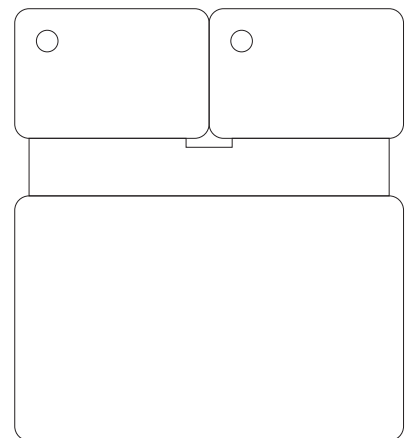


# Template 7: CR80 Card + Square Keytags (30-up)

Height: 92.25 mm  
Width: 85.725 mm  
Corner Radius: 3.175 mm  
# units on stepped sheet: 30



FRONT VIEW



BACK VIEW



## Template 8: Keytags Triplet (48-up)

Height: 85.725 mm

Width: 53.975 mm

Corner Radius: 3.175 mm

# units on stepped sheet: 48

